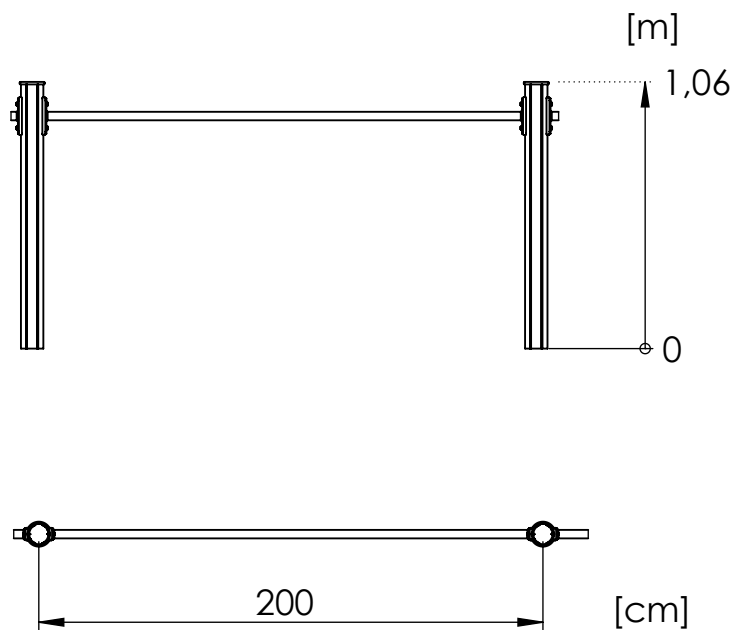


Product Datasheet

Fence OG-01



Materials used:

- construction post made of anodized aluminum profile with a diameter of $\varnothing 89$ mm,
- powder coated steel elements with a zinc primer,
- fasteners: stainless screws, covered self-locking nuts, colored plastic plugs,

Assembly:

The set is mounted in the ground using hot-dip galvanized steel anchors.
Foundations made of C20/25 class concrete.